
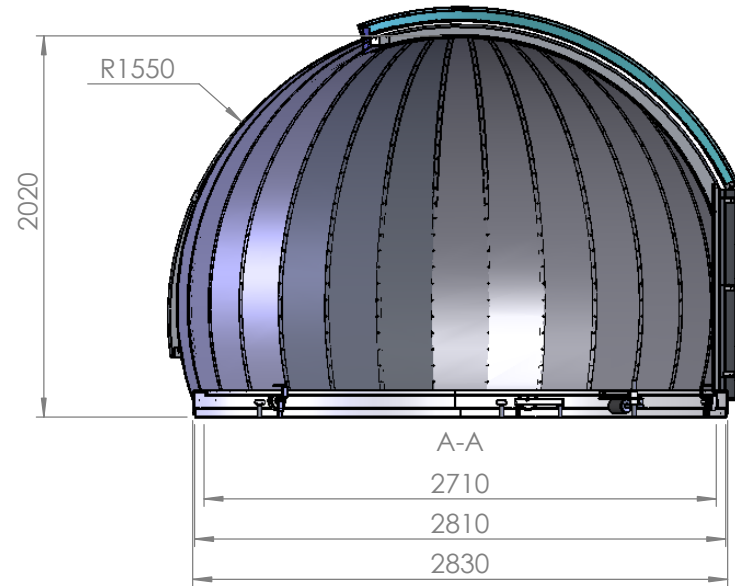
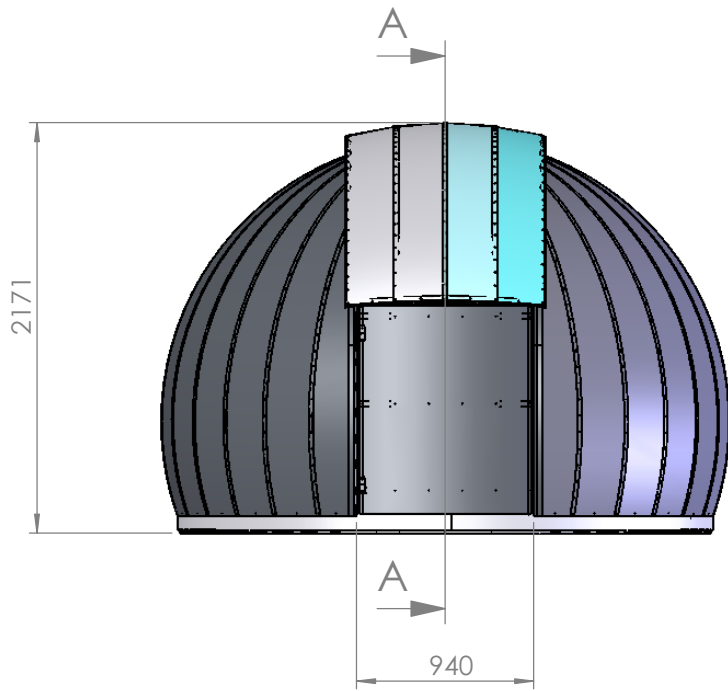
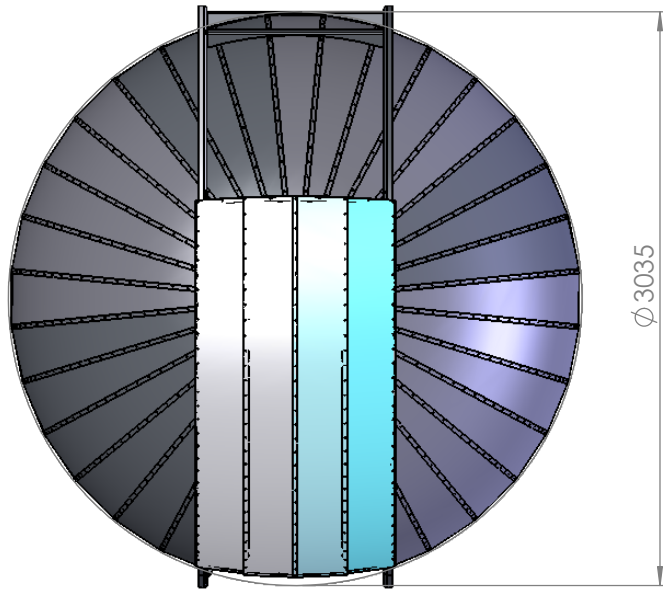


					MATERIAL: AS SPECIFIED	TOLERANCES UNLESS STATED OTHERWISE		<b>ASTRODOMES</b> PH.07 5446 7449 FAX 07 5446 8544 © COPYRIGHT NYBRO 2009 JOB NO: .....	 SIZE: <b>A4</b>
					FINISH:	0 ± 0.2 MM	0.0 ± 0.1 MM		
-	-	-	-	-	COLOUR: AS SPECIFIED	0.00 ± 0.01 MM	0.000 ± 0.01 MM	TITLE:	SCALE: <b>1:25</b>
0	INITIAL RELEASE	14/8/09	-	DWV	QTY: 1	CHECKED: DBV	DATE: 14/8/09	SEMISPHERE METAL DOME ASSEMBLY	SHEET: 1 OF 2
<b>REV</b>	<b>REVISION - DESCRIPTION</b>	<b>DATE</b>	<b>ECR</b>	<b>BY</b>	PROCESS: ASSEMBLE	DRAWN: DWV	DATE: 14/8/09	DWG NO: 1103-A-0025-00-01	REV: <b>0</b>



TITLE: SEMISPHERE METAL DOME ASSEMBLY

© COPYRIGHT NYBRO 2009

SCALE: 1:40

nybro www.nybro.com.au  
design + development

DWG NO: 1103-A-0025-00-01

SHEET: 2 OF 2